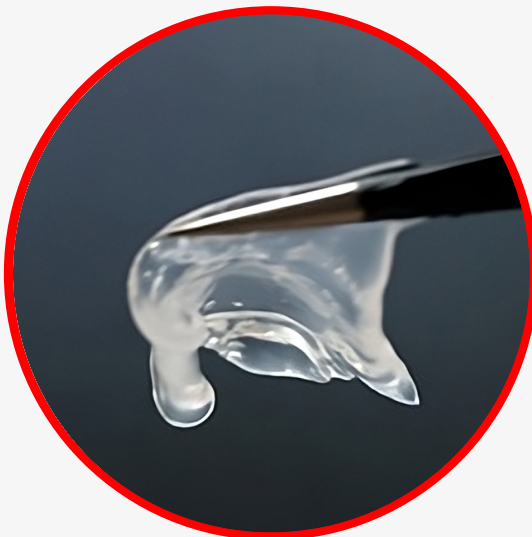
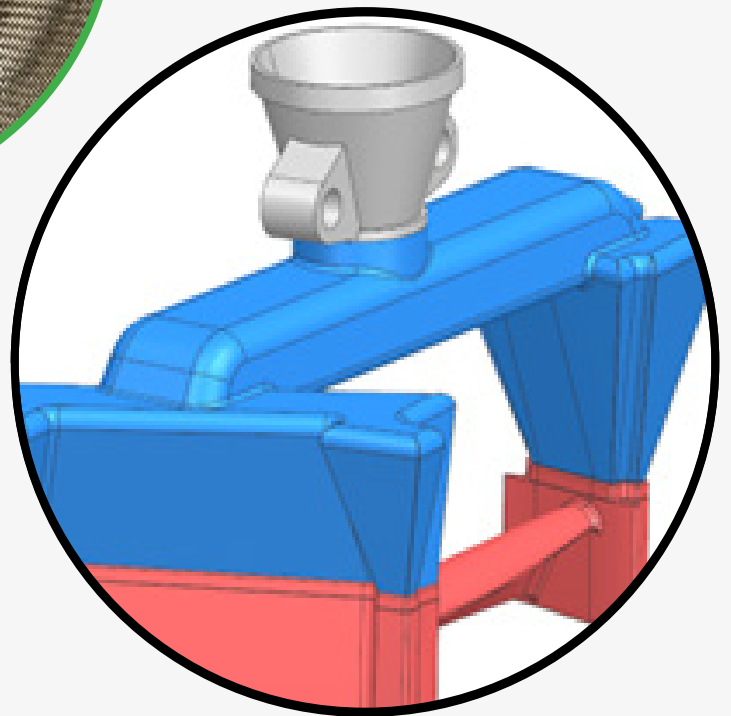


JOURNAL OF CASTING & MATERIALS ENGINEERING

AGH UNIVERSITY OF KRAKOW
FACULTY OF FOUNDRY ENGINEERING

QUARTERLY
Vol. 8 No. 1/2024



JCME